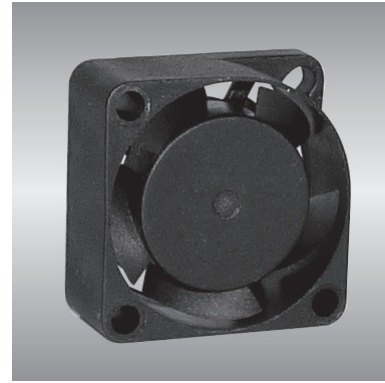


# 25 AG series

x25x10mm



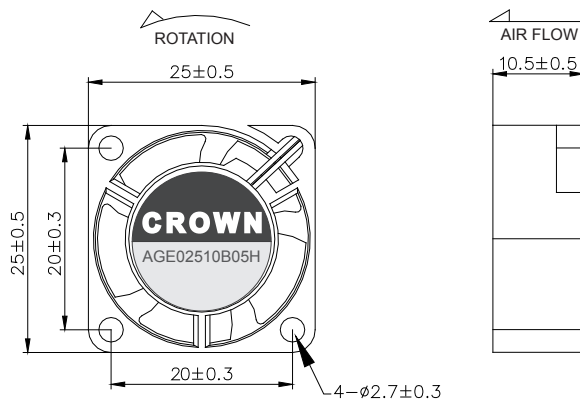
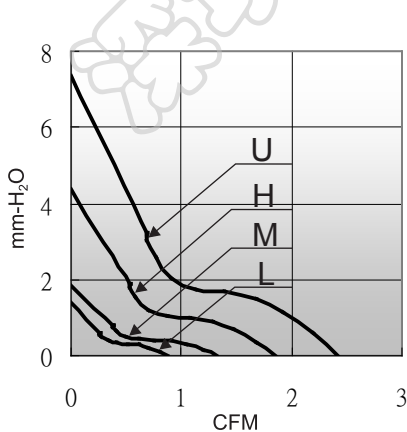
## General Specifications

- Motor : 4 Poles brushless DC motor
- Frame & Impeller : Plastic(UL 94V-0)
- Storage temperature : -40° to +75°
- Operating temperature : -10° to +70°

## Major Characteristic Parameters

Model	*Bearing System	Rated Voltage	Operating Voltage Range	Rated Current	Rated Speed	Maximum Air Flow		Maximum Static Pressure		Sound Level	Weight
Part NO.	B / S / F	V	V	A	RPM	m <sup>3</sup> /min	CFM	mm-H <sub>2</sub> O	In-H <sub>2</sub> O	dBA	g
AGE02510_05L	B / S	5	4.5~5.5	0.12	6000	0.02	0.88	1.4	0.05	18.0	7
AGE02510_12L	B / S	12	7.0~13.2	0.06	6000	0.02	0.88	1.4	0.05	18.0	7
AGE02510_05M	B / S	5	4.5~5.5	0.13	7000	0.04	1.32	1.9	0.07	20.0	7
AGE02510_12M	B / S	12	6.0~13.8	0.07	7000	0.04	1.32	1.9	0.07	20.0	7
AGE02510_05H	B / S	5	4.5~5.5	0.16	10000	0.05	1.85	4.4	0.17	23.5	7
AGE02510_12H	B / S	12	6.0~13.8	0.08	10000	0.05	1.85	4.4	0.17	23.5	7
AGE02510_05U	B / S	5	4.5~5.5	0.22	13000	0.07	2.41	7.3	0.29	28.0	7
AGE02510_12U	B / S	12	6.0~13.8	0.12	13000	0.07	2.41	7.3	0.29	28.0	7

\*Bearing system B: Two Ball Bearing F: Fluid Bearing S: Sleeve Bearing



unit:mm